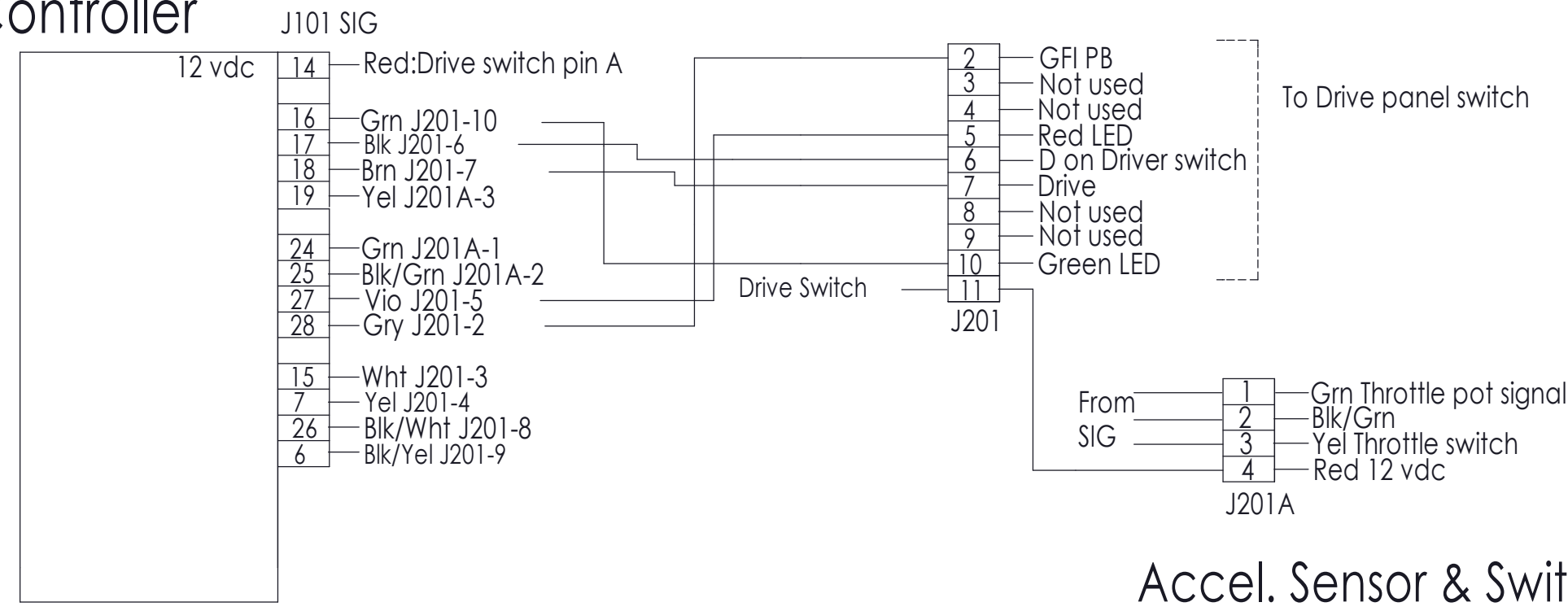


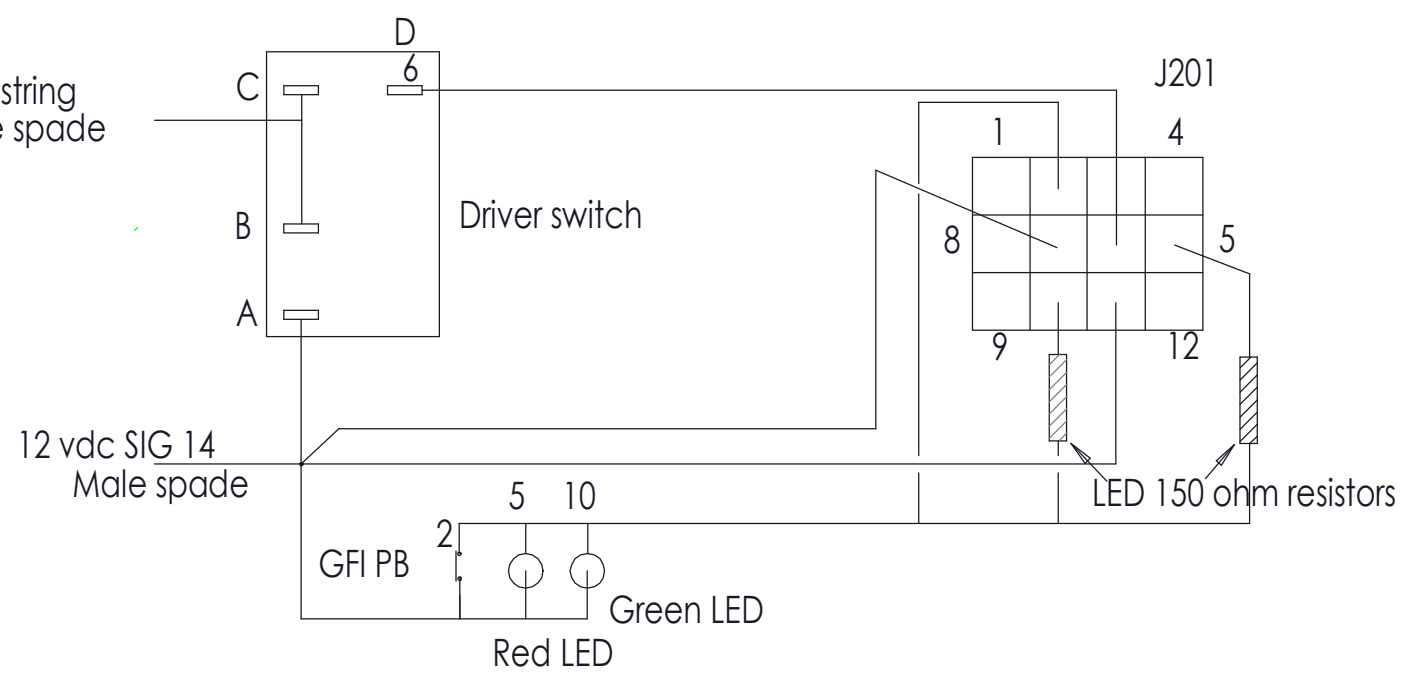
REVISIONS				
ZONE	REV.	DESCRIPTION	DATE	APPROVED
	01	Re-released per CN 0091	W. Baetz	7/06/2015

Controller



Accel. Sensor & Switch

Controller to Driver Panel J201



<p>PROPRIETARY AND CONFIDENTIAL</p> <p>THE INFORMATION CONTAINED IN THIS DRAWING IS THE SOLE PROPERTY OF CROSSPOINT KINETICS, LLC. ANY REPRODUCTION IN PART OR AS A WHOLE WITHOUT THE WRITTEN PERMISSION OF CROSSPOINT KINETICS IS PROHIBITED.</p>	<p>UNLESS OTHERWISE SPECIFIED DIMENSIONS ARE IN INCHES TOLERANCES ARE:</p> <table border="1"> <tr> <th>FRACTIONS</th> <th>DECIMALS</th> <th>ANGLES</th> </tr> <tr> <td>±1/32</td> <td>.XX ± .02</td> <td>±1°</td> </tr> <tr> <td></td> <td>.XX ± .010</td> <td></td> </tr> <tr> <td></td> <td>.XXX ± .005</td> <td></td> </tr> <tr> <td></td> <td>.XXXX ± .0002</td> <td></td> </tr> </table>	FRACTIONS	DECIMALS	ANGLES	±1/32	.XX ± .02	±1°		.XX ± .010			.XXX ± .005			.XXXX ± .0002		<p>CAD GENERATED DRAWING, DO NOT MANUALLY UPDATE</p>	<p>Crosspoint Kinetics, LLC</p>
	FRACTIONS	DECIMALS	ANGLES															
	±1/32	.XX ± .02	±1°															
		.XX ± .010																
	.XXX ± .005																	
	.XXXX ± .0002																	
<p>THIRD ANGLE PROJECTION</p>	<p>MATERIAL SEE NOTES</p>	<table border="1"> <tr> <th>APPROVALS</th> <th>DATE</th> </tr> <tr> <td>RESP ENG. W. Baetz</td> <td>4/29/2015</td> </tr> <tr> <td>CHECKED</td> <td></td> </tr> <tr> <td>CHECKED</td> <td></td> </tr> <tr> <td>MFG ENG.</td> <td></td> </tr> <tr> <td>QUAL ENG.</td> <td></td> </tr> </table>	APPROVALS	DATE	RESP ENG. W. Baetz	4/29/2015	CHECKED		CHECKED		MFG ENG.		QUAL ENG.		<p>TITLE:</p> <p>SCHEMATIC, KINETICS HYBRID DRIVER PANEL</p>			
APPROVALS	DATE																	
RESP ENG. W. Baetz	4/29/2015																	
CHECKED																		
CHECKED																		
MFG ENG.																		
QUAL ENG.																		
<p>DO NOT SCALE DRAWING</p>	<p>FINISH SEE NOTES</p>	<p>SCALE 1:1</p>	<table border="1"> <tr> <th>SHEET</th> <th>DWG. NO.</th> <th>REV</th> </tr> <tr> <td>B</td> <td>90-4502</td> <td>01</td> </tr> <tr> <td></td> <td></td> <td>SHEET 1 OF 1</td> </tr> </table>	SHEET	DWG. NO.	REV	B	90-4502	01			SHEET 1 OF 1						
SHEET	DWG. NO.	REV																
B	90-4502	01																
		SHEET 1 OF 1																