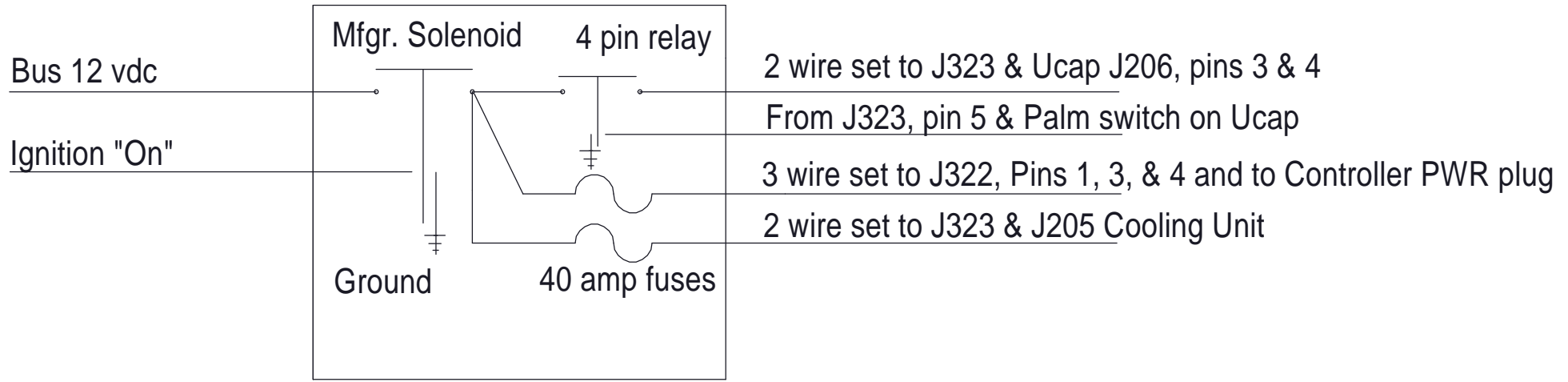


8 7 6 5 4 3 2 1

REVISIONS				
ZONE	REV.	DESCRIPTION	DATE	APPROVED
	01	Re-released per CN 0091	W. Baetz	7/06/2015

Power Box



Behind driver seat (ARBOC)
 Behind pass airbag panel (E-450)
 or above driver in elec area

D
C
B
A

D
C
B
A

8 7 6 5 4 3 2 1

<p>PROPRIETARY AND CONFIDENTIAL</p> <p>THE INFORMATION CONTAINED IN THIS DRAWING IS THE SOLE PROPERTY OF CROSSPOINT KINETICS, LLC. ANY REPRODUCTION IN PART OR AS A WHOLE WITHOUT THE WRITTEN PERMISSION OF CROSSPOINT KINETICS IS PROHIBITED.</p>	<p>UNLESS OTHERWISE SPECIFIED DIMENSIONS ARE IN INCHES TOLERANCES ARE:</p> <table border="1"> <tr> <th>FRACTIONS</th> <th>DECIMALS</th> <th>ANGLES</th> </tr> <tr> <td>±1/32</td> <td>.X ± .02 .XX ± .010 .XXX ± .005 .XXXX ± .0002</td> <td>±1°</td> </tr> </table>	FRACTIONS	DECIMALS	ANGLES	±1/32	.X ± .02 .XX ± .010 .XXX ± .005 .XXXX ± .0002	±1°	<p>CAD GENERATED DRAWING, DO NOT MANUALLY UPDATE</p>	<p>Crosspoint Kinetics, LLC</p>						
	FRACTIONS	DECIMALS	ANGLES												
	±1/32	.X ± .02 .XX ± .010 .XXX ± .005 .XXXX ± .0002	±1°												
	<p>THIRD ANGLE PROJECTION</p>	<p>MATERIAL SEE NOTES</p>	<table border="1"> <tr> <th>APPROVALS</th> <th>DATE</th> </tr> <tr> <td>RESP ENG. W. Baetz</td> <td>4/29/2015</td> </tr> <tr> <td>CHECKED</td> <td></td> </tr> <tr> <td>CHECKED</td> <td></td> </tr> <tr> <td>MFG ENG.</td> <td></td> </tr> <tr> <td>QUAL ENG.</td> <td></td> </tr> </table>	APPROVALS	DATE	RESP ENG. W. Baetz	4/29/2015	CHECKED		CHECKED		MFG ENG.		QUAL ENG.	
APPROVALS	DATE														
RESP ENG. W. Baetz	4/29/2015														
CHECKED															
CHECKED															
MFG ENG.															
QUAL ENG.															
<p>DO NOT SCALE DRAWING</p>	<p>FINISH SEE NOTES</p>	<p>SCALE 1:1</p>	<p>DWG. NO. 90-4503</p>												
			<p>REV 01</p> <p>SHEET 1 OF 1</p>												