

8 7 6 5 4 3 2 1

REVISIONS				
ZONE	REV.	DESCRIPTION	DATE	APPROVED
	01	Re-released per CN 0091	W. Baetz	7/06/2015

D

D

C

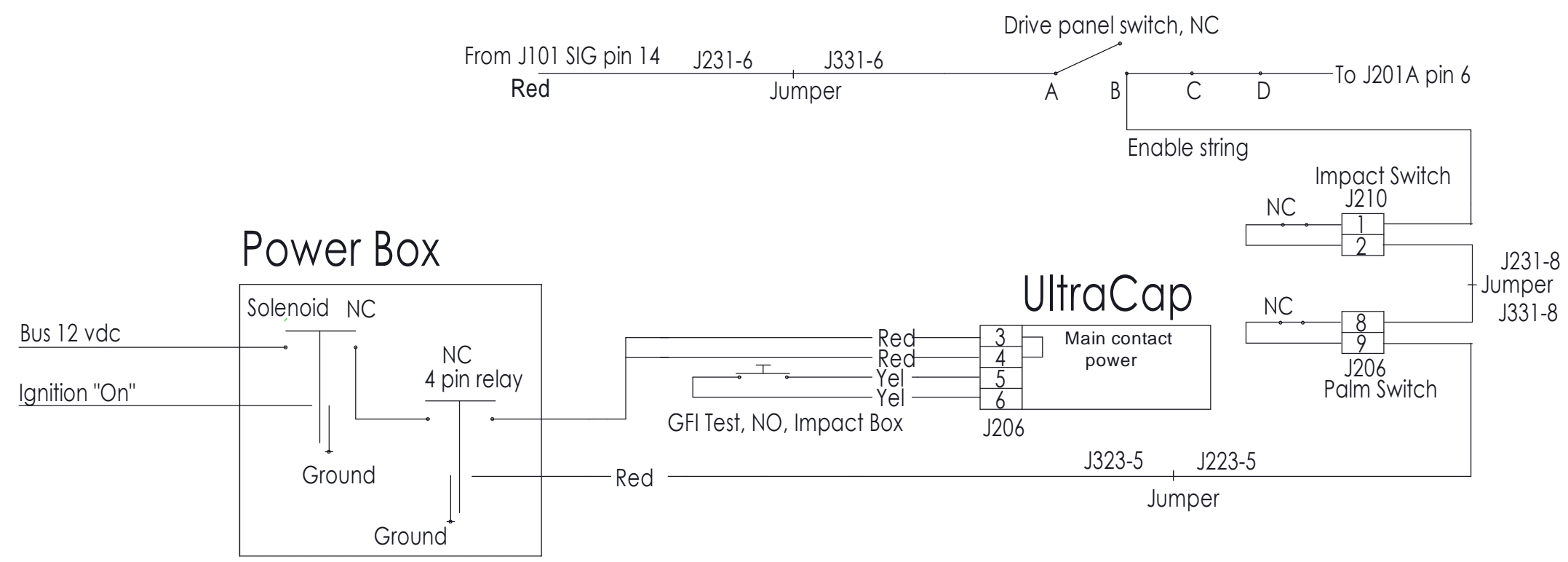
C

B

B

A

A



PROPRIETARY AND CONFIDENTIAL THE INFORMATION CONTAINED IN THIS DRAWING IS THE SOLE PROPERTY OF CROSSPOINT KINETICS, LLC. ANY REPRODUCTION IN PART OR AS A WHOLE WITHOUT THE WRITTEN PERMISSION OF CROSSPOINT KINETICS IS PROHIBITED.	UNLESS OTHERWISE SPECIFIED DIMENSIONS ARE IN INCHES TOLERANCES ARE: FRACTIONS: ±1/32 DECIMALS: .XX ± .010, .XXX ± .005, .XXXX ± .0002 ANGLES: ±1°	CAD GENERATED DRAWING, DO NOT MANUALLY UPDATE	Crosspoint Kinetics, LLC	
	THIRD ANGLE PROJECTION	MATERIAL: SEE NOTES FINISH: SEE NOTES DO NOT SCALE DRAWING	APPROVALS: RESP ENG. W. Baetz CHECKED: CHECKED: MFG ENG.: QUAL ENG.:	DATE: 4/29/2015
		TITLE: SCHEMATIC, KINETICS HYBRID ENABLE STRING	DWG. NO.: 90-4510	REV: 01
	SCALE: 1:1	SHEET: 1 OF 1		

8 7 6 5 4 3 2 1