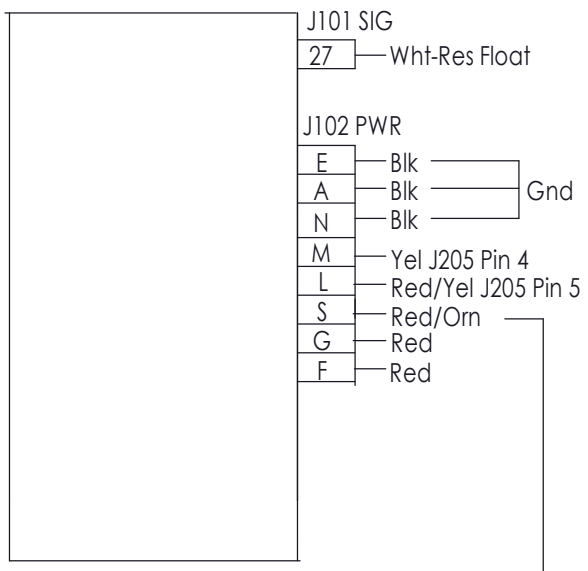


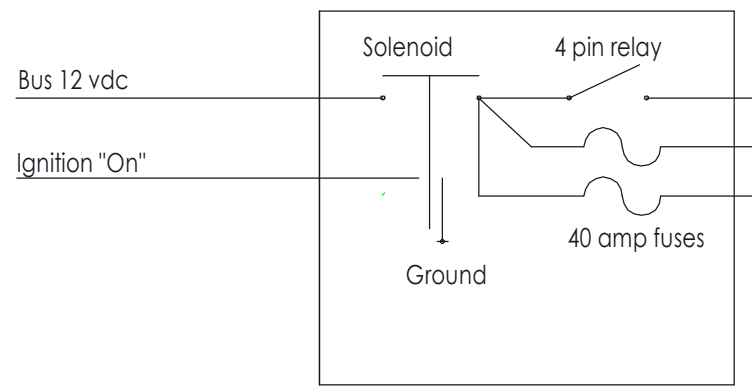
8 7 6 5 4 3 2 1

REVISIONS				
ZONE	REV.	DESCRIPTION	DATE	APPROVED
	01	Re-released per CN 0091	W. Baetz	7/06/2015

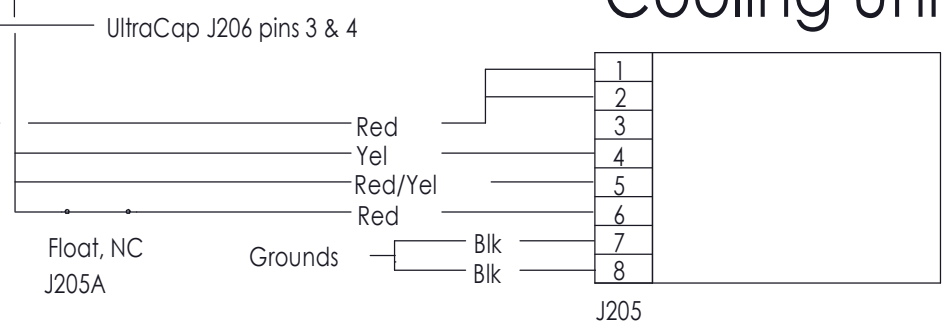
Controller



Power Box



Cooling Unit



PROPRIETARY AND CONFIDENTIAL THE INFORMATION CONTAINED IN THIS DRAWING IS THE SOLE PROPERTY OF CROSSPOINT KINETICS, LLC. ANY REPRODUCTION IN PART OR AS A WHOLE WITHOUT THE WRITTEN PERMISSION OF CROSSPOINT KINETICS IS PROHIBITED.	UNLESS OTHERWISE SPECIFIED DIMENSIONS ARE IN INCHES TOLERANCES ARE: FRACTIONS: ±1/32 DECIMALS: .XX ± .010 .XXX ± .005 .XXXX ± .0002 ANGLES: ±1°	CAD GENERATED DRAWING, DO NOT MANUALLY UPDATE	Crosspoint Kinetics, LLC TITLE: SCHEMATIC, KINETICS HYBRID COOLING UNIT DWG. NO.: 90-4520 REV: 01 SHEET: 1 OF 1	
	THIRD ANGLE PROJECTION 	MATERIAL: SEE NOTES FINISH: SEE NOTES DO NOT SCALE DRAWING		APPROVALS: W. Baetz DATE: 4/29/2015
		MFG ENG. QUAL ENG.		SCALE: 1:1

8 7 6 5 4 3 2 1