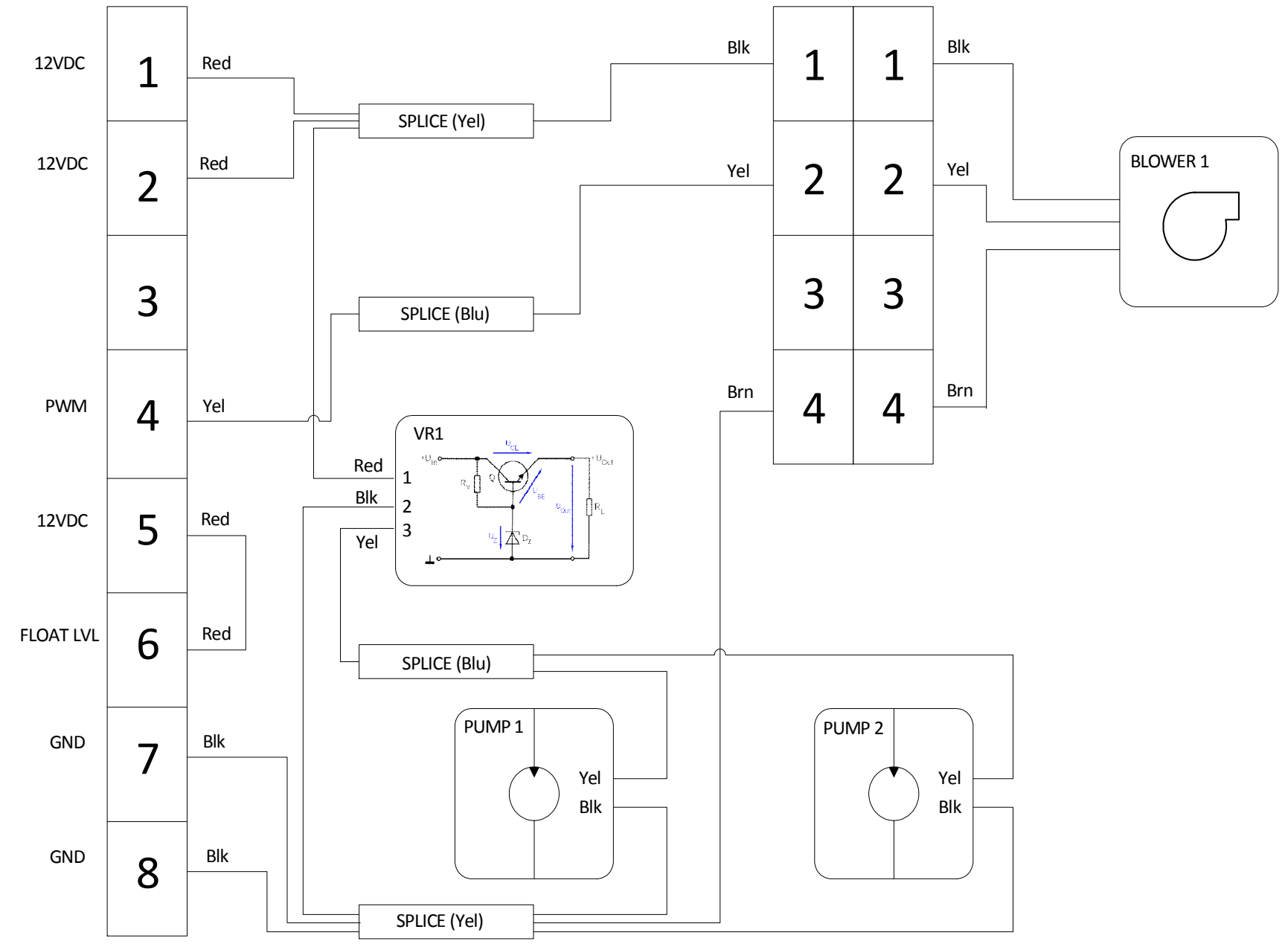


REVISIONS				
ZONE	REV.	DESCRIPTION	DATE	APPROVED
	01	Re-released per CN 0091	W. Baetz	7/06/2015

J205



VOLTAGE REGULATOR POSITIONS

VR1-1	V IN
VR1-2	GND
VR1-3	V OUT

<p>PROPRIETARY AND CONFIDENTIAL</p> <p>THE INFORMATION CONTAINED IN THIS DRAWING IS THE SOLE PROPERTY OF CROSSPOINT KINETICS, LLC. ANY REPRODUCTION IN PART OR AS A WHOLE WITHOUT THE WRITTEN PERMISSION OF CROSSPOINT KINETICS IS PROHIBITED.</p>	<p>UNLESS OTHERWISE SPECIFIED DIMENSIONS ARE IN INCHES TOLERANCES ARE:</p> <table border="1"> <thead> <tr> <th>FRACTIONS</th> <th>DECIMALS</th> <th>ANGLES</th> </tr> </thead> <tbody> <tr> <td>±1/32</td> <td>.XX ± .02</td> <td>±1°</td> </tr> <tr> <td></td> <td>.XXX ± .010</td> <td></td> </tr> <tr> <td></td> <td>.XXX ± .005</td> <td></td> </tr> <tr> <td></td> <td>.XXXX ± .0002</td> <td></td> </tr> </tbody> </table>	FRACTIONS	DECIMALS	ANGLES	±1/32	.XX ± .02	±1°		.XXX ± .010			.XXX ± .005			.XXXX ± .0002		<p>CAD GENERATED DRAWING, DO NOT MANUALLY UPDATE</p>		<p>Crosspoint Kinetics, LLC</p> <p>TITLE: SCHEMATIC, KINETICS HYBRID HEAT EXCHANGER</p>
	FRACTIONS	DECIMALS	ANGLES																
	±1/32	.XX ± .02	±1°																
		.XXX ± .010																	
	.XXX ± .005																		
	.XXXX ± .0002																		
<p>THIRD ANGLE PROJECTION</p>	<p>MATERIAL SEE NOTES</p>	<p>APPROVALS</p> <p>RESP ENG. W. Baetz</p> <p>CHECKED</p> <p>CHECKED</p> <p>MFG ENG.</p> <p>QUAL ENG.</p>	<p>DATE</p> <p>4/29/2015</p>																
<p>FINISH SEE NOTES</p>	<p>DO NOT SCALE DRAWING</p>	<p>SCALE 1:1</p>	<p>DWG. NO. 90-4521</p>																
<p>REV 01</p> <p>SHEET 1 OF 1</p>	<p>REV 01</p> <p>SHEET 1 OF 1</p>	<p>REV 01</p> <p>SHEET 1 OF 1</p>	<p>REV 01</p> <p>SHEET 1 OF 1</p>																